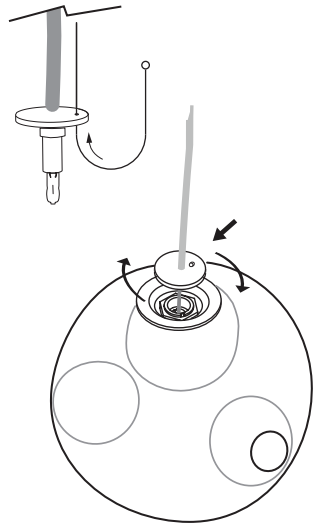


1

Install all copper lengths using the fixture specific installation instructions.

Determine which copper lengths to swag and begin bending them towards these points. Take care when bending the copper to keep from kinking it. Using both hands close together, straighten a small section at a time. Start on one end and work towards the other in a linear fashion.

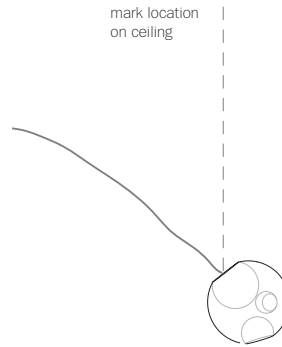
Do not hold both ends at once to uncoil.



2

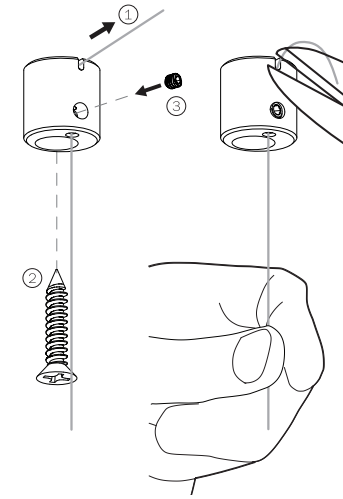
Take the aircraft cable and thread it through the copper cap with the ball-end of aircraft on the lamp side of the cap. Install pendant by inserting the socket into the opening and then threading the copper cap into the pendant by hand. Do not over tighten. Tighten set screw in cap with included allen key.

Note: once the pendant is added, it will pull the copper downwards. The pendant will try to hang directly below the canopy as the copper is not rigid enough for long horizontal compositions.



3

Mark a point directly above the pendants desired location and screw the swag hook into the ceiling using the fasteners provided.



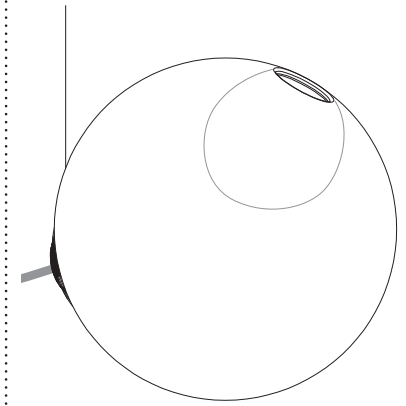
4

Ensure that the ceiling at the swag location is strong enough to hold 2kg (5lbs) before attaching swag hook with the provided screws.

Raise the pendant by pulling the aircraft cable through the hole in the swag hook until the pendant is positioned at the desired height.

Using a 2mm Allen key, tighten the set screw to lock in the swag cable.

Using wire cutters, trim off any excess swag cable.



5

Clean fingerprints from glass surfaces.

Turn fixture on.

For additional assistance, please contact Bocci:

Vancouver
sales@bocci.ca
www.bocci.ca

Berlin
europe@bocci.ca
www.bocci.ca



LOW VOLTAGE LUMINAIRE
E476186

Swag

Design by Omer Arbel
PRODUCT INSTALLATION INSTRUCTIONS

© 2018, Bocci Design and Manufacturing Inc. All rights reserved. Any inquiries should be directed to: info@bocci.ca

BOCCI