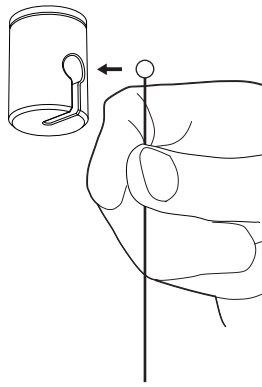


1

Ensure that the ceiling at the swag location is strong enough to hold 2kg (5lbs) before attaching swag hook with the provided screws.

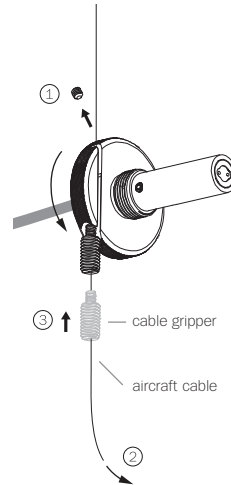
Set the screws (provided) into an appropriate anchor (not provided).

Thread the swag hook on to the mounting plate, ensuring all the threads are engaged.



2

Slide the ball end of the aircraft into the slot on the swag hook. Give this a pull test, make sure that the ball is seated.

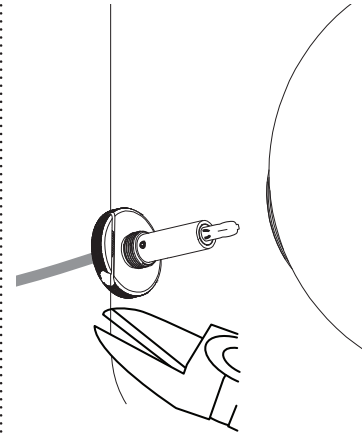


3

Loosen the set screw on the copper cap to rotate the cap. There is a channel on the cap for the cable gripper to slide in. Ensure to orient the copper cap with the large opening pointing downward.

Feed the aircraft cable into the cable gripper. Slide the cable gripper into channel housing of copper cap. Pull the aircraft cable and slide the cable gripper to adjust the height.

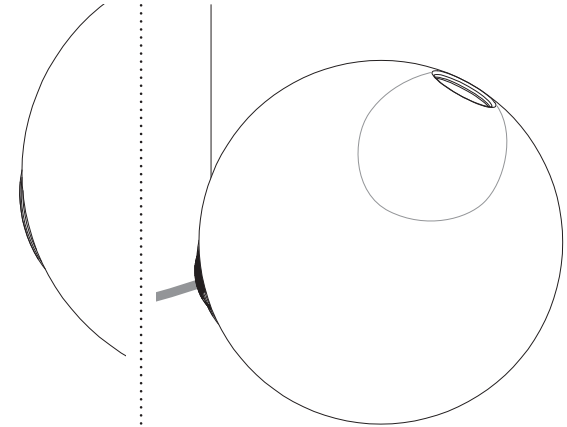
Re-orient the copper cap (if necessary) and tighten the set screw.



4

Cut the aircraft cable using aircraft cutters.

Plug the lamp into the socket and thread the pendant onto the copper cap.



5

Clean fingerprints from glass surfaces.

Turn fixture on.

For additional assistance, please contact Bocci:

Vancouver
sales@bocci.ca
www.bocci.ca

Berlin
europe@bocci.ca
www.bocci.ca

SWAG

Copper Swag

Design by Omer Arbel
PRODUCT INSTALLATION INSTRUCTIONS

© 2018, Bocci Design and Manufacturing Inc. All rights reserved. Any inquiries should be directed to: info@bocci.ca



BOCCI